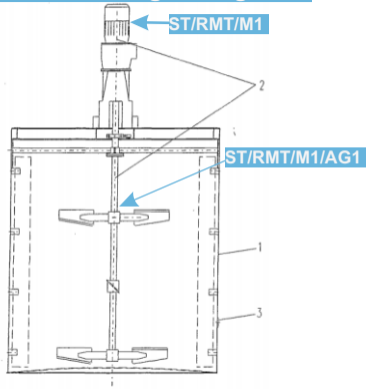


ST/RMT - Returning mixing tank



ST/RMT - Pump return slurry

